



INSTRUCTIONS

-J04862

REV. 2008-10-23

TWIN CAM INNER CAM BEARING REMOVER TOOL

GENERAL

Kit Number

94078-09

Models

For early Twin Cams. Use on 1999 to 2006 FLH, 2000 to 2006 FXST and 1999 to 2005 FXD.

Additional Parts Required

Twin Cam Chain Tensioner Tool (P/N 94075-09)

Cam Locking Tool (P/N 94077-09)

WARNING

The rider's safety depends upon the correct installation of this kit. Use the appropriate service manual procedures. If the procedure is not within your capabilities or you do not have the correct tools, have a Harley-Davidson dealer perform the installation. Improper installation of this kit could result in death or serious injury. (00333a)

NOTE

This instruction sheet references Service Manual information. A Service Manual for your model motorcycle is required for this installation and is available from a Harley-Davidson Dealer.

Kit Contents

See Figure 1 and Table 1.

Replacement parts for this kit are available directly from the vendor. If replacement parts are needed contact JIMS® at 805-482-6913 or www.jimsusa.com.

INSTALLATION

- See Figure 1. Disassemble tool by removing the nut (3), brass washer (2), sleeve and inner pin (1). This will leave the inner cam bearing puller (5) and remover body (4).
- Push the inner cam bearing puller through the cam bearing (groove end first). You can tap the end of the inner cam bearing puller with a soft hammer until the bearing puller is completely through the bearing.
- Install the remover body with the inner cam bearing puller bore towards the bearing. Apply a little oil to the washer face and the thread of the nut.
- Snug up the nut. Apply a little oil to the pin and slip the pin through center until flush with the inner cam bearing puller.
- Using a 1-1/8 inch wrench turn the nut clockwise until the bearing is free of the case (you may need to hold the

bearing puller with a 5/8 inch wrench to keep it from turning).

SERVICE PARTS

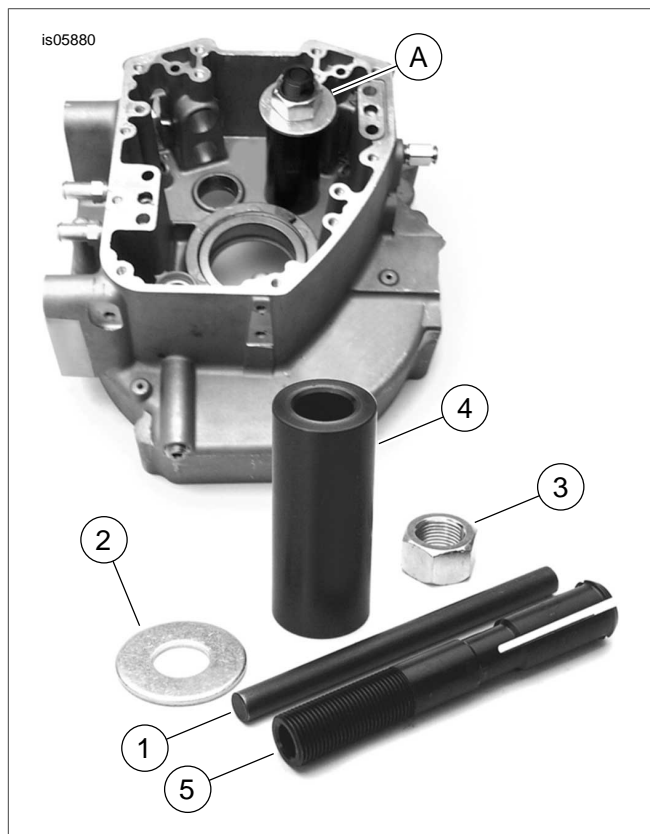


Figure 1. Service Parts: Twin Cam Inner Cam Bearing Remover Tool

Table 1. Service Parts: Twin Cam Inner Cam Bearing Remover Tool

Item	Description (Quantity)	Part Number
1	Dowel pin	95760-TB-1
2	Brass washer, 3/4 inch	1099
3	Nut	1098
4	Remover body	1279-2
5	Inner cam bearing puller	1279-1
A	Inner cam bearing remover shown assembled	

If replacement parts are needed contact JIMS® at 805-482-6913 or www.jimsusa.com