



# INSTRUCTIONS

-J05098

REV. 2009-11-20

## MAGNETIC LIFTER HOLDERS - PAIR

### GENERAL

#### Kit Number

93979-10

#### Models

For model fitment information, see the P&A Retail Catalog or the Parts and Accessories section of [www.harley-davidson.com](http://www.harley-davidson.com) (English only).

#### Additional Parts Required

Separate purchase and installation of additional parts or accessories may be required for proper installation of this kit on your model motorcycle. See the P&A Retail Catalog or the Parts and Accessories section of [www.harley-davidson.com](http://www.harley-davidson.com) (English only) for a list of required parts or accessories for your model.

### WARNING

The rider's safety depends upon the correct installation of this kit. Use the appropriate service manual procedures. If the procedure is not within your capabilities or you do not have the correct tools, have a Harley-Davidson dealer perform the installation. Improper installation of this kit could result in death or serious injury. (00333a)

#### NOTE

This instruction sheet references service manual information. A service manual for your model motorcycle is required for this installation and is available from a Harley-Davidson Dealer.

#### Kit Contents

See Figure 1 and Table 1.

There are no Service Parts available with this kit.

### INSTALLATION

#### Cam Support Plate Removal

1. Prior to removing cam support plate from the engine and after the lifter tubes are removed, install the magnetic lifter tools into both of the lifter blocks. Each of the legs of the tool should be set into the lifter block above each of the lifters.
2. Loosely install the cam sprocket on the rear camshaft. No bolt is required. Using the cam sprocket as a dial, slowly

turn the cam sprocket a full revolution to allow the lifter to stick to the magnets on the magnetic lifter tool.

3. Slowly continue to rotate the cam sprocket while watching the tools. Rotate until both tools are at their lowest point. The timing mark on the rear cam will be approximately at 3 o'clock or 9 o'clock. (This may vary slightly depending on cam design). The cams should now be in a position that one set of lifters would normally be on the base circle and the other set will be on the closing side of the exhaust cam lobe and opening side of the intake cam lobe. The tool will hold the lifters just off the lobes so the camshafts can be removed. If additional clearance is desired, a small flat blade screw driver can be placed between the legs of the magnetic lifter tool and the tappet block cover. Lifting the tool too high will cause the lifters to contact the anti-rotation pin and fall off the magnets.
4. Remove the cam support plate.

#### Cam Support Plate Installation

1. Reverse the procedure above.

### SERVICE PARTS

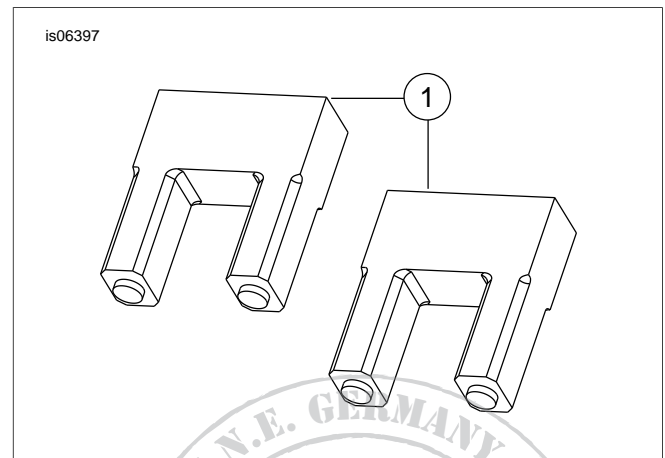


Figure 1. Magnetic Lifter Holders - Pair

Table 1. Magnetic Lifter Holders

Item	Description (Quantity)	Part Number
1	Magnetic Lifter Holders (2)	Not Sold Separately